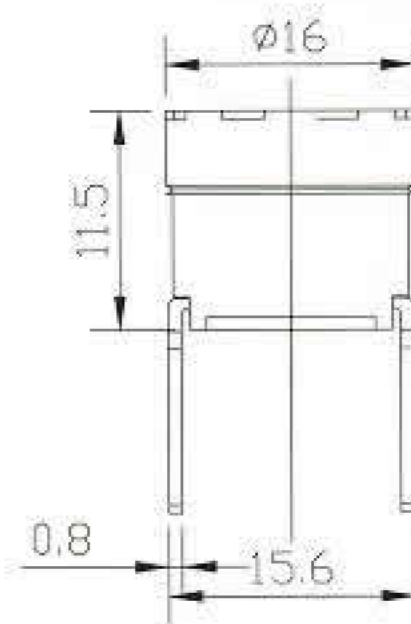
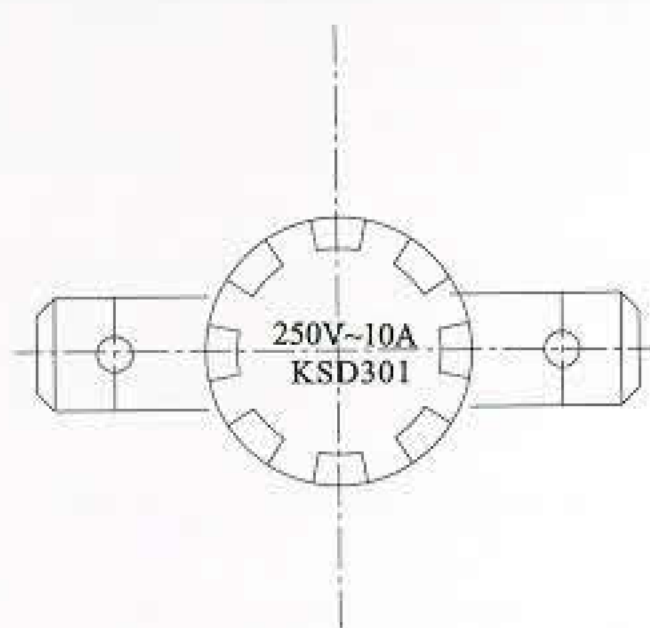


KSD301 平脚/弯脚小铝盖不带活动环支架

Flat-pin/Curved-pin Small Aluminium Cap without movable ring bracket



KSD301系列温控器的标准温度、温差和标准精度

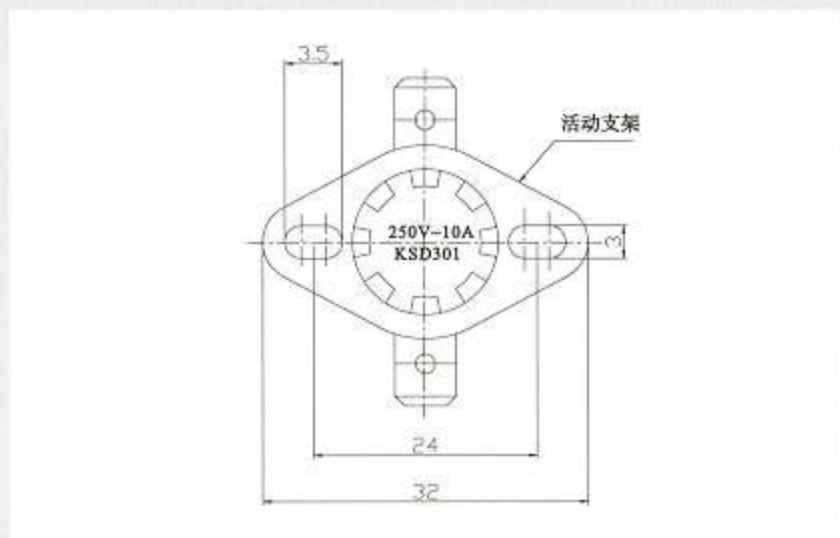
| 最高设置点 范围（断开 或闭合） | 温差（断开和闭合之间的温差） | | | | | | | | | | | | | | | |
|------------------------|----------------|------|-------------|------|-----------|------|---------------|------|-----------|------|---------------|------|-------------|------|-------------|------|
| | 8.5°C-10.5°C | | 11°C-13.5°C | | 14°C-16°C | | 16.5°C-21.5°C | | 22°C-27°C | | 27.5°C-33.5°C | | 34°C-44.5°C | | 45°C-55.5°C | |
| | 断开 | 闭合 | 断开 | 闭合 | 断开 | 闭合 | 断开 | 闭合 | 断开 | 闭合 | 断开 | 闭合 | 断开 | 闭合 | 断开 | 闭合 |
| 2°C-25°C | ±3 | ±3.5 | ±3 | ±3.5 | ±3 | ±4 | ±3 | ±4.5 | ±3.5 | ±4.5 | ±4 | ±5 | -- | -- | -- | -- |
| 26°C-82°C | ±3 | ±3.5 | ±3 | ±4 | ±3 | ±4 | ±3 | ±4.5 | ±3 | ±4.5 | ±3.5 | ±5.5 | ±4 | ±6 | ±5 | ±7 |
| 83°C-110°C | ±3 | ±4 | ±3 | ±4 | ±3 | ±4.5 | ±3 | ±4.5 | ±3.5 | ±5 | ±4 | ±6 | ±4.5 | ±6.5 | ±5.5 | ±8 |
| 111°C-149°C | -- | -- | -- | -- | ±3.5 | ±5 | ±3.5 | ±5.5 | ±4 | ±6 | ±4.5 | ±6 | ±5 | ±8 | ±6 | ±9.5 |
| 150°C-177°C* | -- | -- | -- | -- | -- | -- | ±5.5 | ±11 | ±6 | ±12 | ±6 | ±12 | ±5.5 | ±8.5 | ±6.5 | ±11 |
| 178°C*-220°C* | -- | -- | -- | -- | -- | -- | ±9 | ±13 | ±9 | ±13 | ±9 | ±13 | ±9 | ±13 | ±10 | ±14 |

示例：假设顾客要选择85°C断开、复位温度相差11°C左右温控器。

因设计标称值为85°C，可在表中最左边一列选取相应值；然后根据闭合与断开的温差值（11°C左右），设定为11°C-13.5°C，则KSD301 85°C温控器实际断开温度是在82°C-88°C之间，而它的自动复位温度为70°C-78°C之间。

KSD301 平脚/弯脚小铝盖带活动环支架

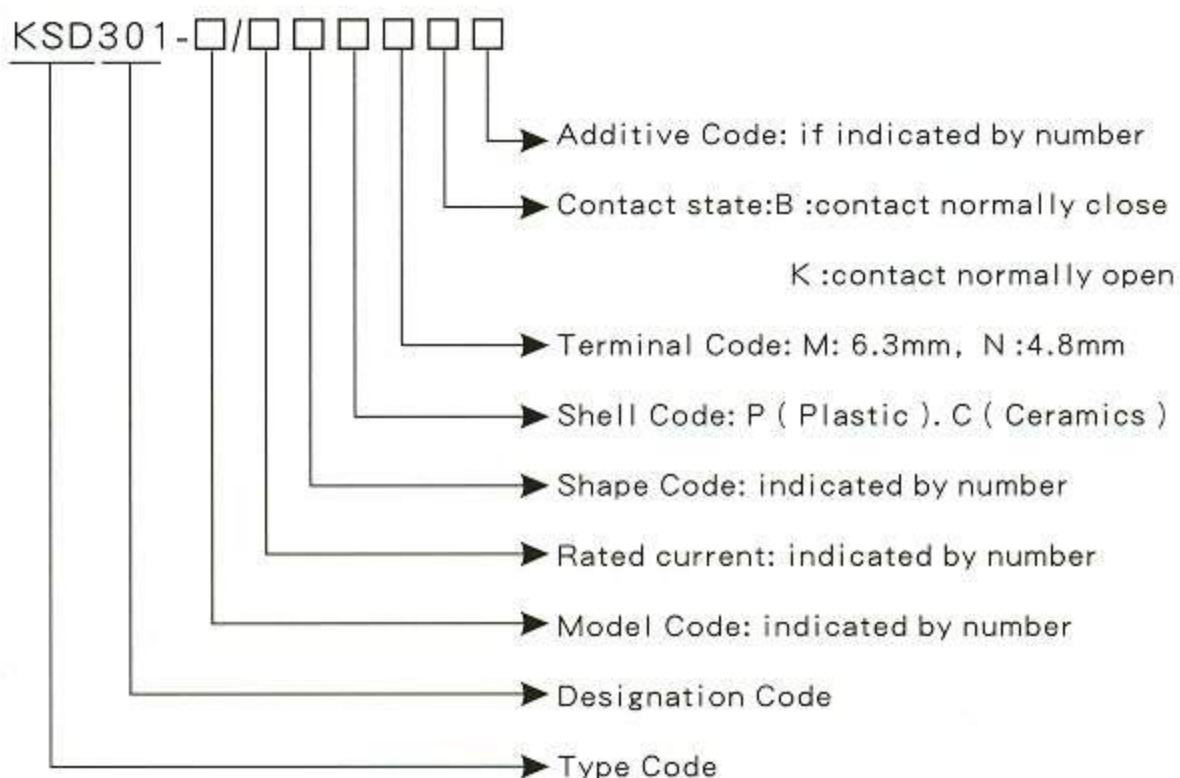
Flat-pin/Curved-pin Small Aluminium Cap with movable ring bracket



Material

Terminal -- Brass strip(copper content is 62%)
 Cover-Aluminum plate
 Disc-Bimetal strip
 Shell-Plastics EA-5555J or Ceramic
 Guide plate-Plastics EA-5555J or Ceramic

型号意义:



Characteristics

Product:Thermostat
 Model: KSD301 series.
 Type:Thermal double sheet metal jump type auto reset thermostat
 Electrical performance: AC 250V 50~60Hz 10A
 (Resistive Load)
 Scope of action temperature:40~180°C
 Tolerance of action temperature: ±5°C
 Normal Electrical Strength: no breakdown and flashover
 under AC 1500V /50~60 Hz For 1 min.
 Normal Insulation Resistance: more than 2MΩ(DC500
 Megohm meter)
 Contact Resistance:≤50mΩ
 Contact Status : Single knife one time action.
 Action Type : 1B
 Durability : AC 250V 10A (Resistive Load) 100,000 times
 Heat resistance : Temperature of installation surface
 no more than 120% of application
 temperature.
 IP-Protection Degree:IP00
 Tracking Resistance:PTI175
 Structure Type:Built-in Type

