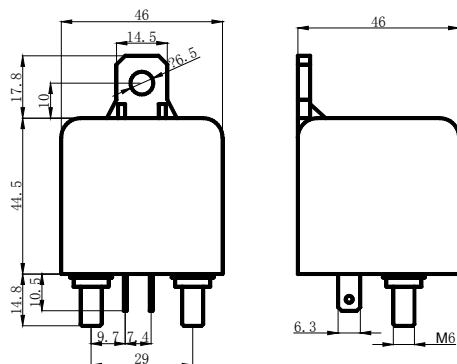
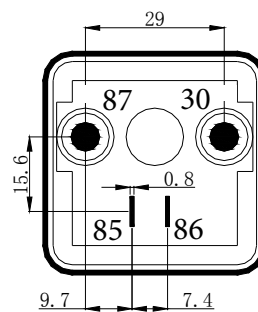


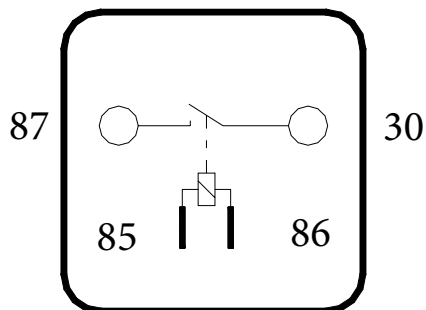
Dimensions (Unit: mm)



Dimensions



Mounting (Bottom views)



Wiring diagram (Bottom views)

NOTES 1).Dimensions are in millimeter.