

NPD12-120Ah

Valve-regulated lead-acid battery



DEEP CYCLE SERIES

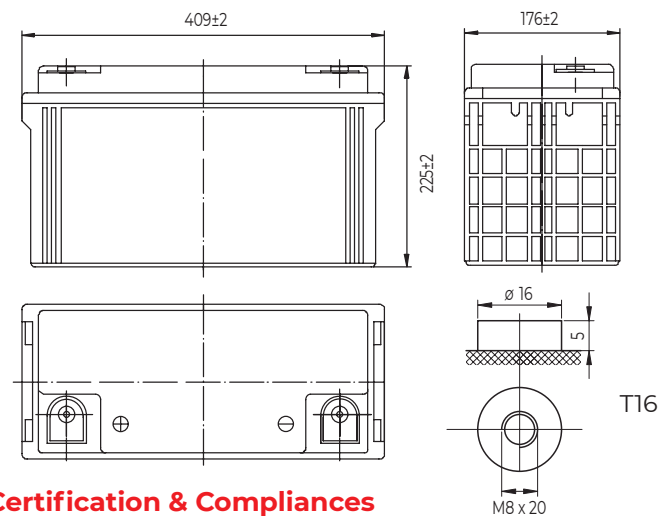
Characteristics

Nominal voltage	12V (6 cell per unit)	
Nominal capacity at 10 hours rate/10.8V (25°C)	123Ah	
Capacity (25°C)	20 Hours rate/10.8V	130.4Ah
	5 Hours rate/10.8V	105Ah
Terminal type	T16	
Torque	12.3±2.5N.m	
Approx. internal resistance (25°C)	4.0 mΩ	
Dimensions	Length	409±2mm (16.10inch)
	Width	176±2mm (6.93inch)
	Height	225±2mm (8.86inch)
	Total height	225±2mm (8.86inch)
Design Life (stand-by)	JIS at 25°C	10 years
	Eurobat at 20°C	10/12 years
Weight	36.00kg (79.40lbs)±3%	
Nominal operating temperature	25°C±3 (77±5°F)	
Operating temperature range	Discharge	-15°C~50°C (5°F~122°F)
	Charge	-10°C~50°C (14°F~122°F)
	Storage	-20°C~50°C (-4°F~122°F)
Float charging voltage at 25°C	13.5V~13.8V	
Cyclic charging voltage at 25°C	14.5V~15.0V	
Temperature compensation	Float charge	-18 mV/°C/Block
	Cycle charge	-30 mV/°C/Block
Max. charging current (A)	36.0A	
Max. discharge current for 5 seconds	950A	
Self discharge rate (25°C)	≤3%/month	
Battery container ABS UL94-HB	V-0 optional	

Overview

NPP Power Deep Cycle Series are manufactured specifically to provide outstanding performance in deep cycling applications. The batteries are designed using enhanced alloy contents plates and active paste materials.

Dimensions & Terminal Type (mm)



Certification & Compliances



Compliant to: EUROBAT, RoHS, WEEE's and Reach.
Manufactured according to IEC 60896-21 / 22

Construction

Component	Positive Plate	Negative plate	Container	Separator	Electrolyte	Safety valve	Terminal
Raw material	Lead dioxide	Lead	ABS (V-0 opt.)	AGM	Sulfuric Acid	Rubber	Copper

Constant current discharge characteristics at 25°C

(Ampere/battery)

F.V/Time	10min	15min	30min	60min	2hr	3hr	4hr	5hr	8hr	10hr	20hr
9.60V	268	207	124	76.0	44.9	32.4	25.8	22.1	15.2	12.5	6.64
9.90V	260	202	121	74.9	44.7	32.2	25.7	22.0	15.1	12.5	6.62
10.2V	249	194	117	73.0	44.3	32.0	25.5	21.8	15.0	12.5	6.60
10.5V	239	188	115	70.7	43.6	31.7	25.3	21.6	14.9	12.4	6.56
10.8V	225	178	110	68.4	42.5	30.8	24.6	21.0	14.4	12.3	6.52

Constant power discharge characteristics at 25°C

(Watts/battery)

F.V/Time	10min	15min	30min	60min	2hr	3hr	4hr	5hr	8hr	10hr	20hr
9.60V	2896	2269	1387	867	520	381	304	261	180	150	79.6
9.90V	2809	2214	1359	854	517	378	302	259	179	149	79.5
10.2V	2693	2133	1318	832	513	376	300	258	178	149	79.2
10.5V	2577	2060	1286	806	505	373	298	256	177	148	78.8
10.8V	2433	1951	1239	780	492	362	289	248	172	147	78.2

The above characteristics represent average values and can be obtained within three charge and discharge cycles. The batteries must be fully charged before testing. The data in this document is subject to change without notice and become contractual only after written confirmation. Please contact NPP Power for the latest available version.

NPP Power (Vietnam) Co.,Ltd

Lot A22.3, Road C4, Thanh Thanh Cong Industrial Zone,
An Hoa Village, Trang Bang District, Tay Ninh Province,
Vietnam

Guangzhou NPP Power Co, Ltd.

No.67 Lianglong Road, Huashan Town, Huadu District,
Guangzhou, China
Email: info@nppower.com.cn Tel. +86 20 37887 390